



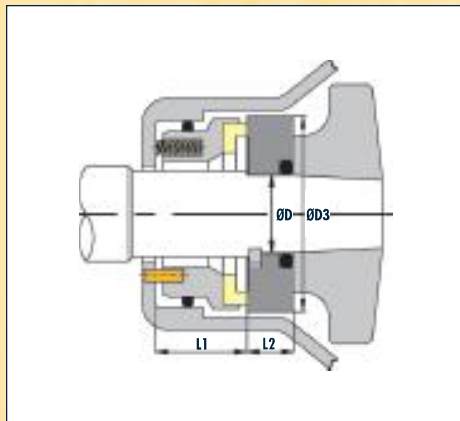
VULCAN TYPE 50/1683 SEALS TO SUIT INOXPA®

PROLAC AND SLR PUMPS

Vulcan offer a range of seals to suit both single and double seal arrangements for Inoxpa Prolac® and SLR® Pumps. Both single and double types of seal are of a unique design to directly replace the original seals, without any modifications to these pumps.



TYPE 50



A unique design of multi-spring seal, where the sprung component behaves as the stationary. Suits all Inoxpa Prolac® applications where the single, uncooled mechanical seal is required. This seal is also utilised as the internal seal in double, cooled seal arrangements.

VULCAN CODES

All Type 50 and 1683 seals are supplied as standard with Viton® 'O'-rings, if other materials are required please advise at the time of order.

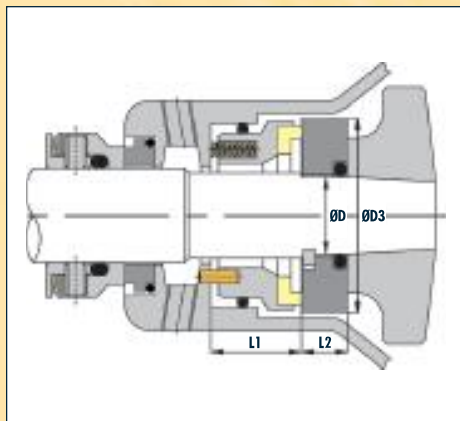
Where xxxx is stated in the code, add the appropriate shaft size. If EP or Nitrile is required, replace the V in the code with an E or N respectively.

xxxx.50.V.P. Type 50, with stainless steel rotary and inserted Carbon faced multi-spring stationary.

xxxx.50.V.S. Type 50, with monolithic Silicon Carbide rotary and inserted Silicon Carbide multi-spring faced stationary.

xxxx.1683.V.P. Type 1683, with stainless-steel rotary and carbon seat.

xxxx.1688.V.P. Type 1688, with stainless-steel rotary and carbon seat.



VULCAN STANDARD SIZES

Inch Shaft Size D	Size Code	L1	L2	D3
0.625	0158	26.00	10.50	44.50
1.000	0254	26.00	10.00	53.50
1.500	0381	31.00	15.50	74.00

Vulcan offer the Type 1683 range of seals to suit the Inoxpa® SLR pump, utilising a stainless-steel wave spring rotary with a unique, double 'O'-Ring mounted carbon stationary. The Type 1683 seal is available in four shaft sizes to suit the common SLR pumps.

Seals to suit Inoxpa Prolac® Pumps.

PUMP MODEL	SEAL TYPE	VULCAN EQUIVALENT
S-15, -20, -26, -28 & -35	5/8" Single-internal	0158.50.V.P.
S-15, -20, -26, -28 & -35	28mm Double-external seal	0280.1688.V.P.
S-38, -70 & -80 with 160kW motor	1.0" Single-internal	0254.50.V.P.
S-38, -70 & -80	35mm Double-external seal	0350.1688.V.P.
S-38, -70 & -80 with 180 or 200kW motor	1.1/2" Single-internal	0381.50.V.P.
S-38, -70 & -80	50mm Double-external seal	0500.1688.V.P.
S-38, -70 & -80, MR200-250 version	1.1/2" Single-internal	0381.50.V.P.
S-38, -70 & -80	65mm External seal	0650.1688.V.P.